

# ROD-LOCK<sup>®</sup>

The BOP  
that Clamps



## Key Features

- Lock Out Clamp
- BOP
- Flow Tee

## Benefits

- Service any PC drive head without a rig
- Reduces rig cost
- Enhances safety

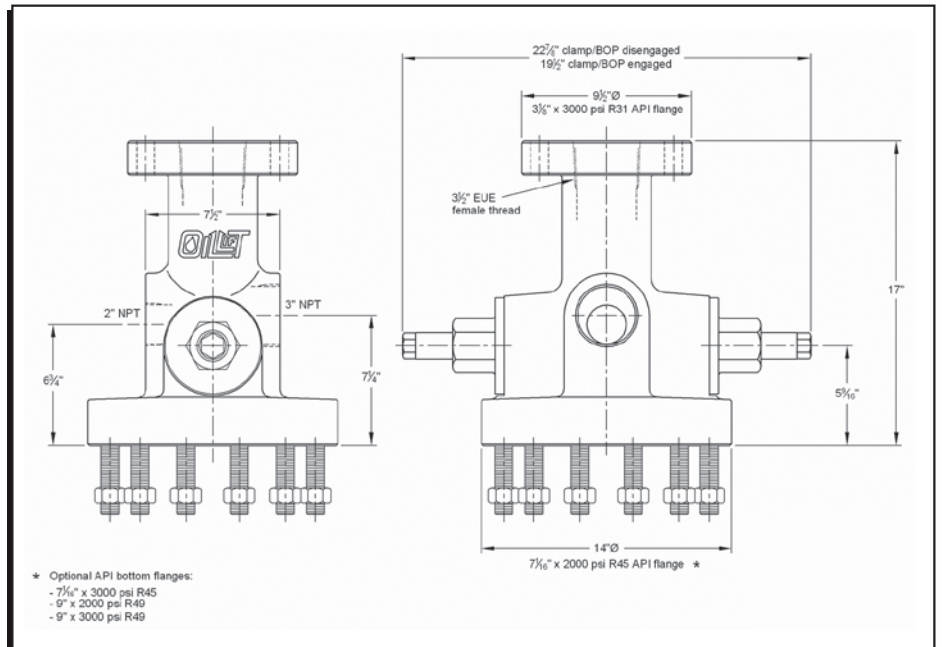
**OILLET**

Technology Inc

A DOVER COMPANY

*The Problem Solver*

# ROD-LOCK® The BOP that Clamps



## Reduces Costs

- A picker truck instead of a flush-by rig can replace a PC drive or service a PC drive stuffing box
- A top mounted Oil Lift stuffing box can be serviced by a man with a pick-up truck
- The service rig can space the pump, secure the polished rod and leave the drive installation for later, thus saving rig time

## Specifications

- Rated at 25,000 pounds of polished rod weight based on 800 ft-lb torque on clamp bolts. Proof load is 40,000 pounds without slipping.
- Proof torque 1000 ft-lb
- Pressure balanced for low actuating torque
- BOP seals rated at 3000 psi
- Through bore 3 1/8" inches
- Rams available for 1 1/4" or 1 1/2" polished rod
- Top flange 3 1/8" x 3000 psi
- Bottom flange 7 1/16" x 2000 psi, 7 1/16" x 3000 psi, 9" x 2000 psi or 9" x 3000 psi
- For additional sizes contact Oil Lift Technology Inc

## Enhances Safety

- Eliminates having to suspend a PC drive on the winch line while holding the polished rod weight on the draw works line
- No need for someone to work under a suspended drive head to install or remove a hinged lock out clamp
- The polished rod is locked out and cannot move while someone is working on the drive system



**Head Office**  
 #37 - 19 Aero Drive NE.  
 Calgary, AB, Canada  
 T2E 8Z9  
 Ph: (403) 291-5300  
 sales@oillifttechnology.com

Lloydminster, Alberta  
 Ph: (780) 875-6830  
 Bonnyville, Alberta  
 Ph: (780) 573-2686  
 Peace River, Alberta  
 Ph: (780) 624-3537  
 Medicine Hat, Alberta  
 Ph: (403) 526-8882

Farmington, NM  
 Ph: (505) 327-1226  
 Odessa, Texas  
 Ph: (432) 366-1900  
 Houston, Texas  
 Ph: (282) 364-6695

Brisbane, Australia  
 Ph: 011-61-7-3727-4000  
 Chinchilla, Australia  
 Ph: 011-61-7-4668-9227  
 Roma, Australia  
 Ph: 011-61-7-4622-1237  
 Injune, Australia  
 Ph: 011-61-7-4626-1625



Bogotá, Colombia  
 Ph: 011 57 310 231 6787  
 Muscat, Oman  
 Ph: 011 61 7 4626 1625